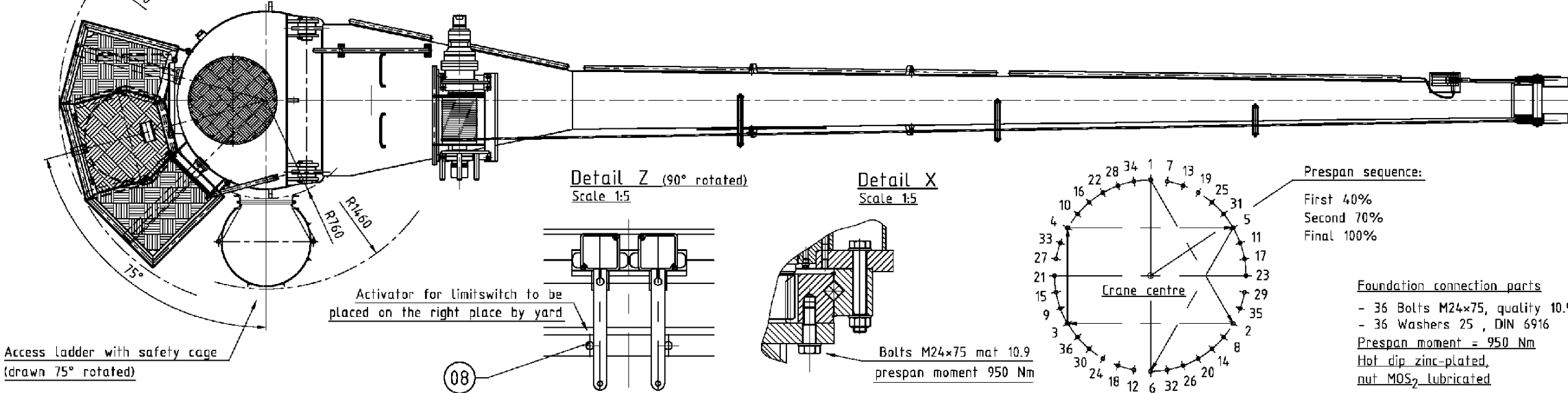
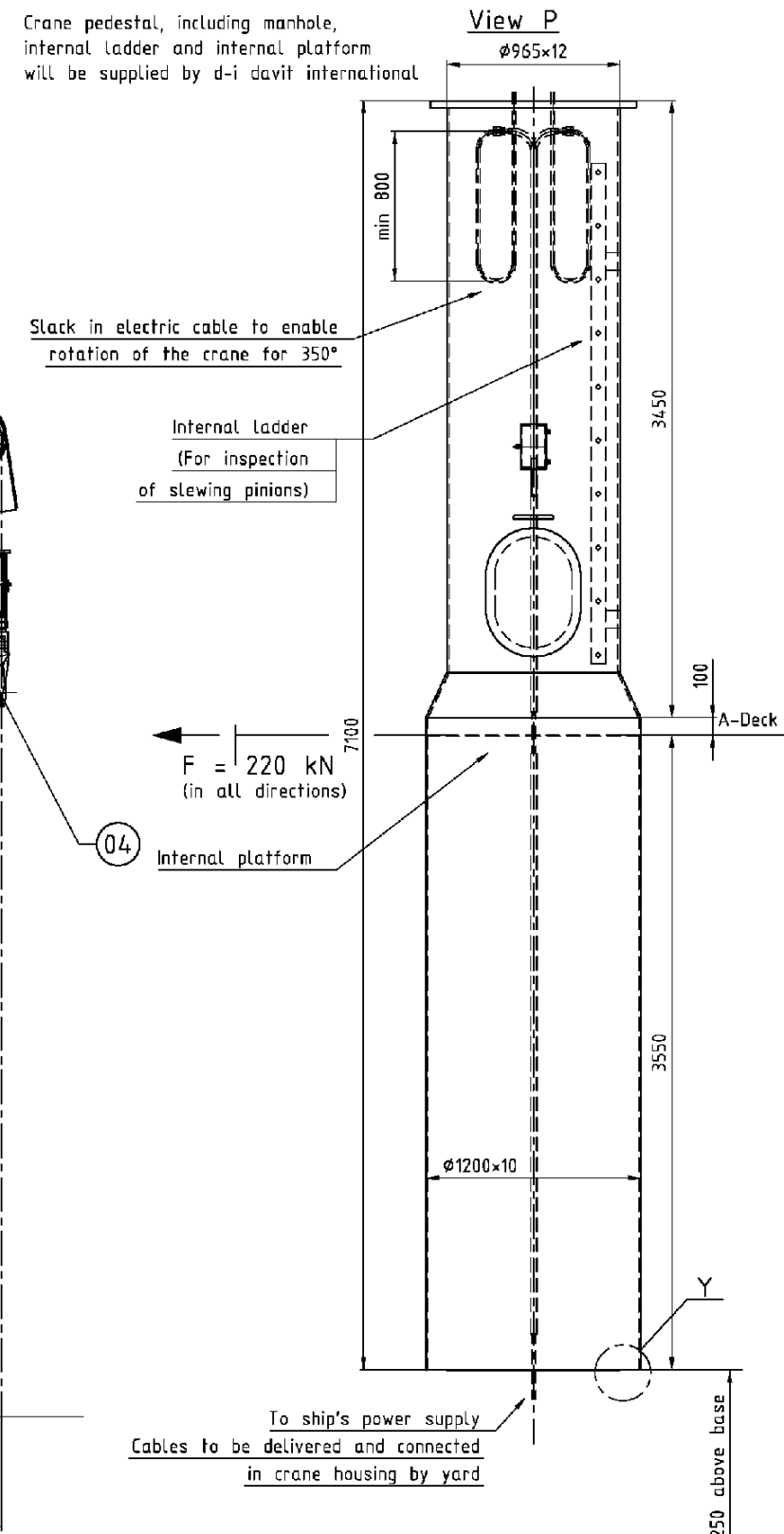
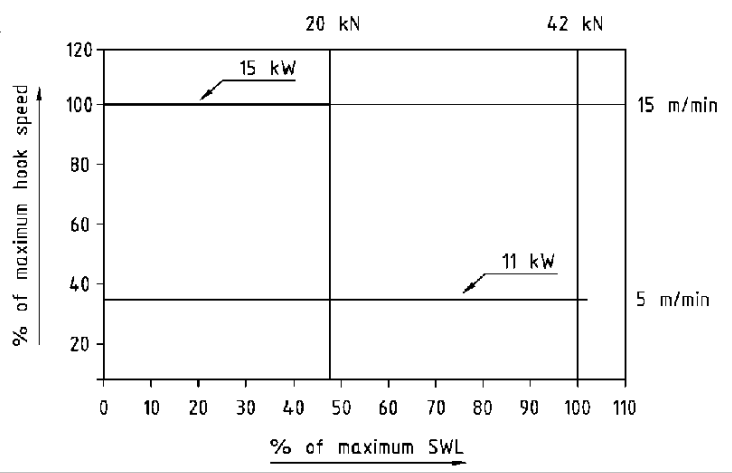


Speed / SWL diagram



Left-hand execution is as shown
 Right-hand execution is in opposite hand

SFW

Kran 1